



Wittmann



Battenfeld

Presentation

Wiba Tech ApS

Kratbjerg 202
DK-3480 Fredensborg

www.wibatech.dk

Welcome to WibaTech

- As the Danish distributor of the Wittmann-Group, WIBA Tech is a **turnkey supplier to the plastics industry** with injection molding machines, robots and peripherals.
- Besides IMM's and peripherals from Wittmann Group, WIBA Tech also offers a pallet of other products to service the plastic industry, like extrusion, screws and cylinders, masterbatch, end-of-arm-tools, Schredders as well automation.



Organisation

Sales		Technics / Service		Administration
Sales manager Michael Juul-Andersen		Service manager Hans-Erik Nielsen		Management – Owner Jesper Skaarup
Sales consultant Daniel Skaarup		Service Technician Frederik Kim Christiansen		Accountant / HR Majbritt Paulson
Sales / Back Office Nick Hinsch		Service Technician Robert Jensen		
		Project Manager Bjarni Due Zachariasen		

Wittmann Robots and Peripherals

Robots for the plastics processing industry

WITTMANN is offering an entire range of robots for the flexible automation of injection molding machines – from small models, up to machines with very large clamping forces. [Info>>>](#)

Gravimetric blenders, volumetric dosing

[Info>>>](#)

Water flow and temperature controllers, cooling units

[Info>>>](#)

Conveying units, controls and accessories for the plastics industry

[Info>>>](#)

Material dryers and drying hoppers

[Info>>>](#)

Granulators

[Info>>>](#)



Wittmann Battenfeld Injection Moulding Machines

WITTMANN BATTENFELD injection molding technology. The modern and comprehensive range of machinery in a modular design meets the actual and future requirements of the market, taking into consideration the best utilization of the applied energy.

Electrical machines, EcoPower 55-550T

[Info>>>](#)

Servo-hydraulic SmartPower 25-400T

[Info>>>](#)

MacroPower 400-2000T

[Info>>>](#)

MicroPower 15T

[Info>>>](#)

Vertical Vpower 120-160T

[Info>>>](#)

Process technology (Multi-component,

Medical, Air- and Cellmould a.o.)

[Info>>>](#)



ASS-Maschinenbau End-of-Arm-Tooling

Gripper Components, Robot Hands / End-of-Arm-Tooling and Automation Systems.

The Original ASS Robot Hand Kit (EOAT) from Germany. **Custom made robotics.**

[info >>>](#)

More than 1,500 gripper components.

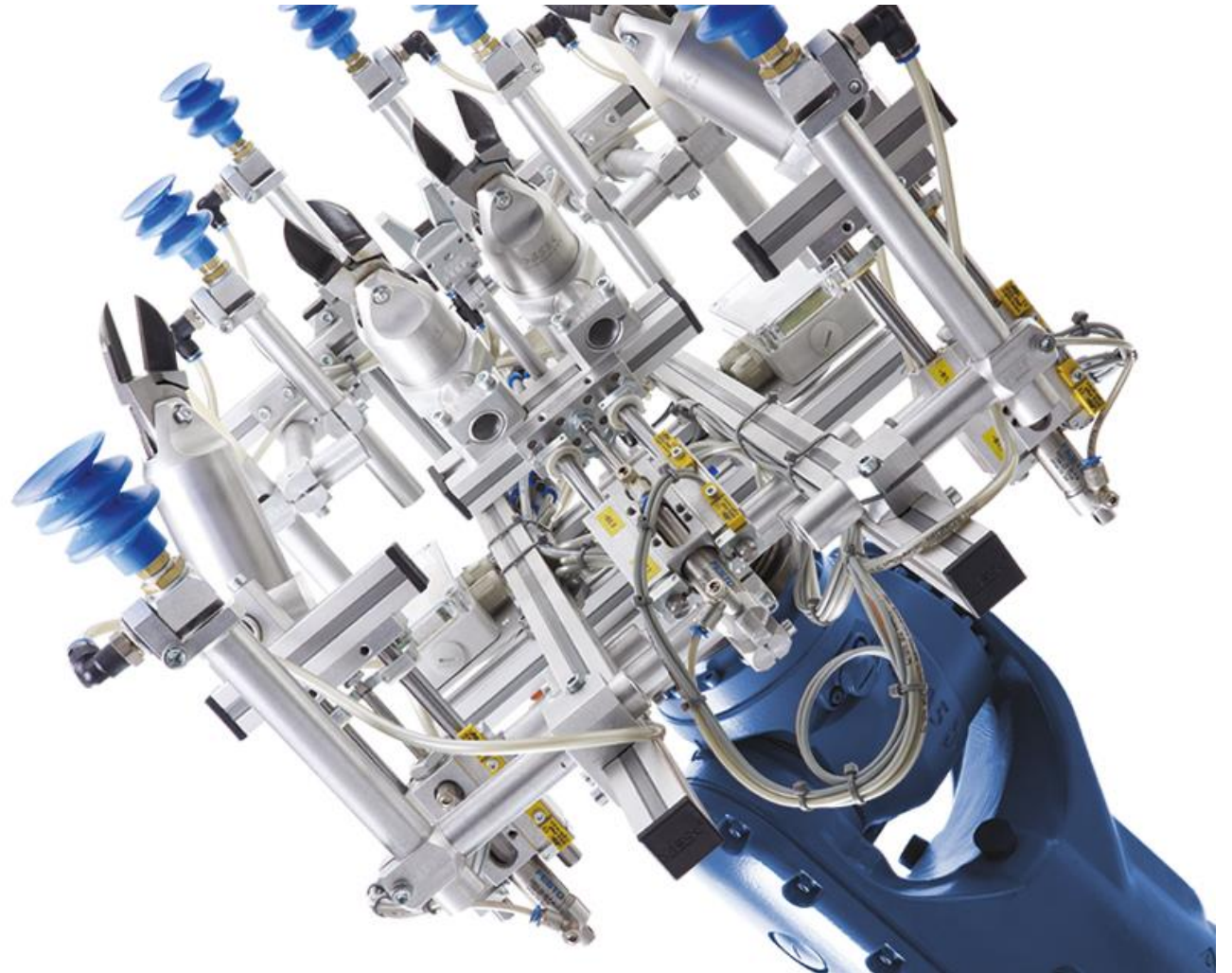
Grippers, vacuum cups, profiles and special gripper components.

[info >>>](#)

Quick change systems.

On-line catalog

[info >>>](#)



Tosaf Color Service Masterbatch

Color Service – a part of Tosaf group [Info>>>](#)

Universal MB.

[Info>>>](#)

Standard MB

[Info>>>](#)

PE Master Batch

[Info>>>](#)

Polymer specific MB.

[Info>>>](#)

Additive- and combi-MB

[Info>>>](#)

Special effects – from metallic to shimmer, all the way to glow effects

The inclusion of additives, the creation of combination batches and the use of the most varied types of polymers is possible.

and storage - one Masterbatch for diverse applications



Hellweg The Formular 1 Granulators

Hellweg Maschinenbau [Info>>>](#)

From small laboratory grinders to large high-performance granulators as well as cutting and granulating Blow Film.

Granulation of "all" materials, including film, Kevlar, fibers, fishing nets and ropes, aluminum, magnets, paper and "lumps".

High homogeneity and low dust level.

Up to 50% less energy consumption.

Up to 70% less dust.

Up to 90% less cleaning and handling.

Digital "Smart control" for easy setting, maintenance and repair.



Reifenhäuser Reiloy Barrels and screws Extruders

The worldwide leading manufacturer of highly wear-resistant barrels and screws for injection moulding and extrusion

Screws with armoured flights

diameter 40 mm - 350 mm -Length max. 9000 mm

Through-hardened screws

diameter: 14 mm - 70 mm - Length: max. 2500 mm

Screw design

3-zone screws, multi-start screws

barrier screws, vented screws

twin-screws

[info >>>](#)

Barrels

Blank barrel, Twinn barrels, Semi-finished and Finished barrel

[info >>>](#)



TRIPLE R Oil filtering systems

Triple R bypass oil filters perform total oil purification by removing solid particles, sludge, varnish and water from all industrial oil types.

Filter inserts -The original and still the best

[Info>>>](#)

Standard filters without pump. 10-50 bar.

[Info>>>](#)

Filters with bypass pump

[Info>>>](#)

Filters for diesel and bio-fuel

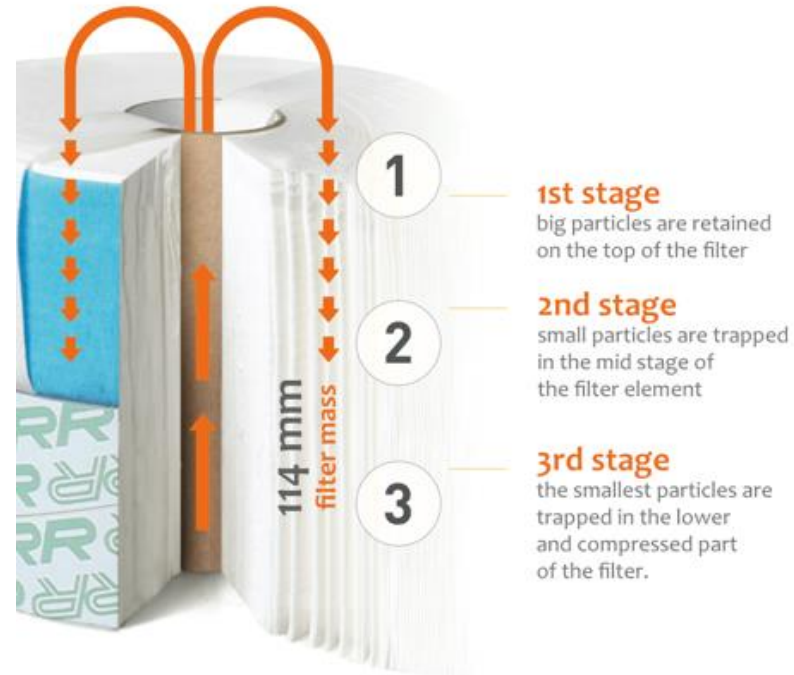
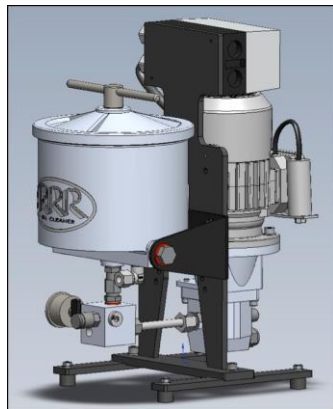
[Info>>>](#)

Filters for marine applications

[Info>>>](#)

Off-line water removing device

[Info>>>](#)



1st stage

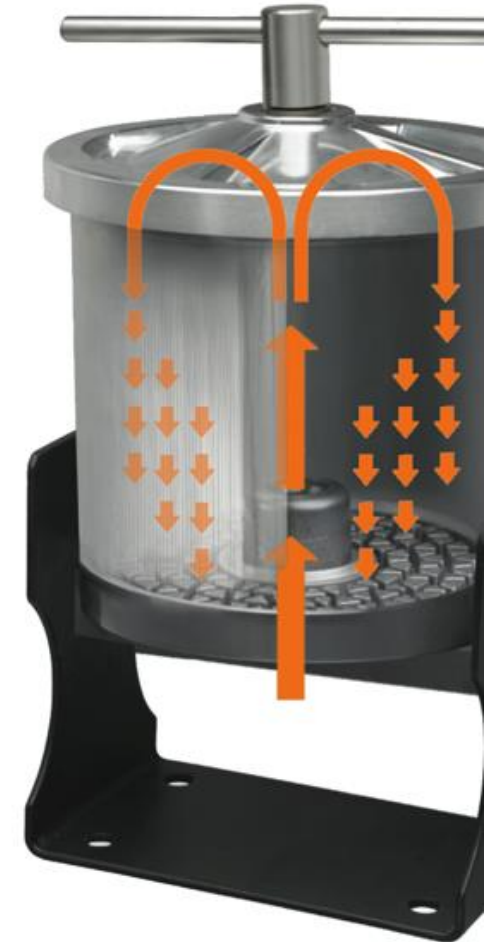
big particles are retained on the top of the filter

2nd stage

small particles are trapped in the mid stage of the filter element

3rd stage

the smallest particles are trapped in the lower and compressed part of the filter.



SCHUMA CONVEYOR - TECHNOLOGY

Conveyor technology with unlimited flexibility.

Regardless of whether you need a straight profile, an angled profile or other variants of conveyor, it is possible with SCHUMA profile-conveyors.

[Info>>>](#)

Sorting and separation. Different separation techniques and dimensions are available at SCHUMA in order to achieve an ideal separation result.

[Info>>>](#)

STACKING, BUFFERING AND DISTRIBUTING

With the forklifts or turning and collecting tables from our production runs the goods handling smoothly.

[Info>>>](#)



Reifenhäuser

Blown Film, Cast film and extruders

One of the globally leading providers of extrusion lines for manufacturing blown film, cast films, polishing sheets and extrusion coatings lines

Blowfilm lines. 3- to 12-layer blown film lines and technical films with barrier properties for food packaging to agricultural.

[Info>>>](#)

Cast film lines. sheet extrusion lines, extrusion coating lines and extruders

[Info>>>](#)

Stand-alone extruders.

Single-screw extruders, Twin-screw extruders

[Info>>>](#)





**End of
Presentation**

**We look forward to continuing the good
relations with all our business partners.**

**Thanks for
listening**

**Wiba Tech ApS
Kratbjerg 202
DK-3480 Fredensborg**

www.wibatech.dk